

UD6^{series} PV-UD190HA6 190Wp

Photovoltaic Modules

Mitsubishi Electric is a global leader in providing superior-quality photovoltaic modules to businesses and residences around the world. With more than 36 years experience in the photovoltaic industry, we manufacture products that are designed and built for optimal efficiency and reliability. With a name like Mitsubishi Electric, you can be sure you're getting the best.

Excellent Workmanship

For more than three decades, we have been perfecting our PV modules to bring you the highest quality products possible. Superior craftsmanship, engineering excellence and attention to the finest detail ensure longevity and optimal performance.

- Flush-mounted frame screws reduce installation space
- Lower slope of module frame prevents accumulation of dust
- Straight tabs ensure integrity of electrical connections
- 25-year warranty guarantees power output
- Serial number on front side of module for easy viewing

High Efficiency

Our modules are designed with high efficiency and high power output in mind to utilize limited space while giving you a higher return on investment.

- Power tolerance of +/- 3% (+3/-0% per carton)
- 4 bus bar design increases cell efficiency
- High power output in real life conditions
- Solder-free cells for increased efficiency
- Bypass diode maximizes power output in shaded conditions
- Back film and high-transmittance glass to aide in increased light absorption

Safe and Durable

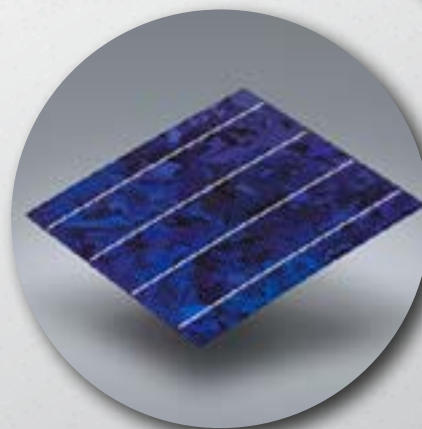
Engineered to withstand tough outdoor conditions, our modules are among the most durable in the industry. Designed for fast and easy installation, Mitsubishi Electric solar panels are lightweight and include the latest safety features.

- Four layer junction box for added reliability and safety
- Lightweight (37 lbs) for a faster, safer installation
- Corrosion-resistant anodized frame
- Tempered glass and locking connectors for safety
- Additional grounding options reduce installation time
- Can be installed in areas near salt water
- 5,400 Pa IEC Static load test passed

Eco-friendly

From our manufacturing process to our recyclable packaging, we have made a true commitment to protect the environment. For us, it's not just the end product that counts, but the entire production cycle.

- 100% lead-free solder in all of our modules
- ISO 14001 certified for eco-friendly manufacturing processes
- Minimal cardboard packaging



Technical Specifications

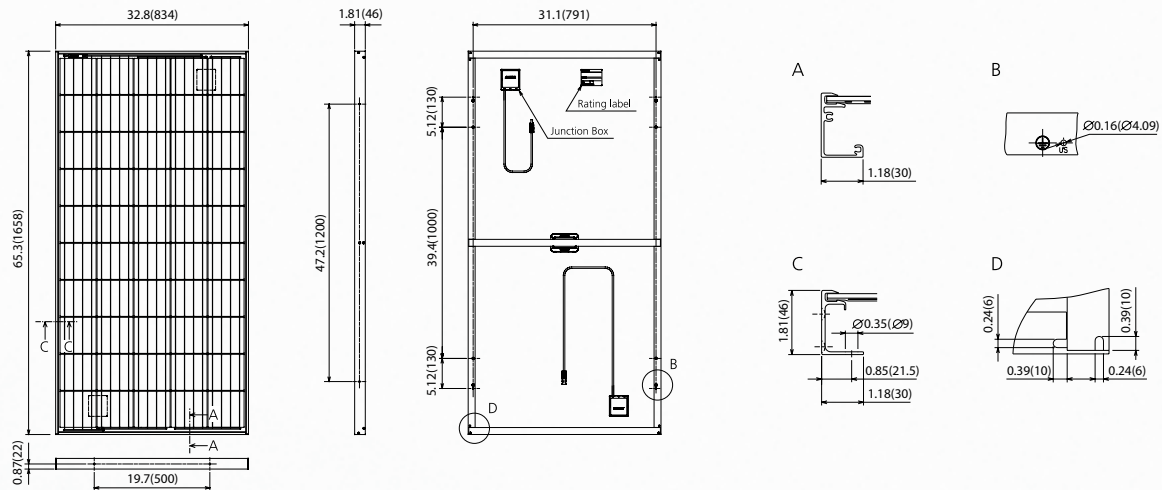
**MITSUBISHI
ELECTRIC**
SOLAR ELECTRIC INNOVATIONS

Mitsubishi Electric Photovoltaic Module

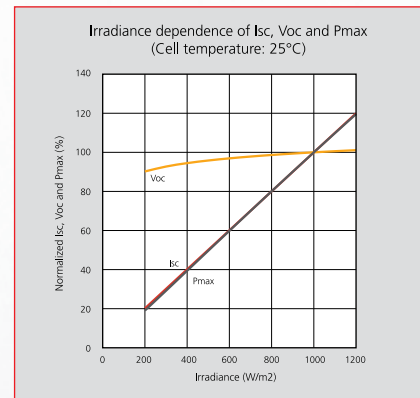
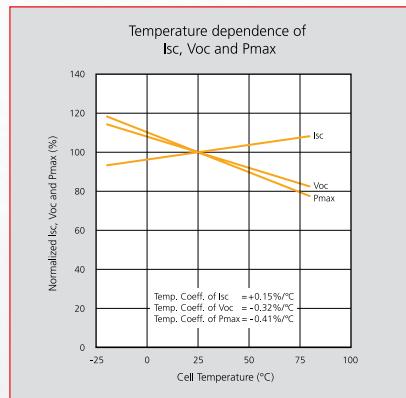
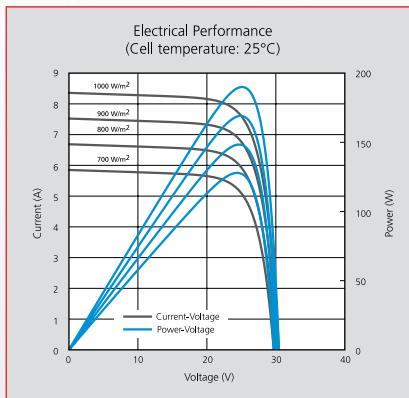
Specification Sheet

Manufacturer	MITSUBISHI ELECTRIC
Model name	PV-UD190HA6
Cell type	Polycrystalline Silicon, 156 mm x 156 mm
Number of cells	50 cells in a series
Maximum power rating (P _{max})	190Wp
Warranted minimum P _{max}	184.3Wp
Tolerance of maximum power rating	+3/-3%
PV USA test condition rating (PTC)	174.3Wp (estimated)
Open circuit voltage (V _{oc})	30.5V
Short circuit current (I _{sc})	8.36A
Maximum power voltage (V _{mp})	25.1V
Maximum power current (I _{mp})	7.56A
Normal operating cell temperature (NOCT)	45.2 degree C
Maximum system voltage	DC 600V
Fuse rating	15A
Dimensions	65.3 x 32.8 x 1.8 inch (1658 x 834 x 46 mm)
Weight	37 lbs (17 kg)
Static load/pressure rating	5,400 Pa (112 lbf/ft ²)
Number of modules per pallet	20
Number of modules per container (40 ft. container)	560
Packing contents	2 pcs - 1 carton
Output terminal	Positive: 31.5±2 inch (800±50 mm) / Negative: 49.2±2 inch (1250±50 mm) with MC connector (PV-KBT4/6 -UR, PV-KST4/6 -UR)
Module efficiency	13.7%
Certifications	IEC61215 2nd Edition, UL 1703
Fire rating	Class C

Drawings and Dimensions Unit: inch (mm)



Electrical Characteristics



Mitsubishi Electric & Electronics USA, Inc.
5665 Plaza Drive, Cypress, CA 90630-0007
Telephone: 714-220-2500 Email: pv@meus.mea.com

www.mitsubishielectricsolar.com