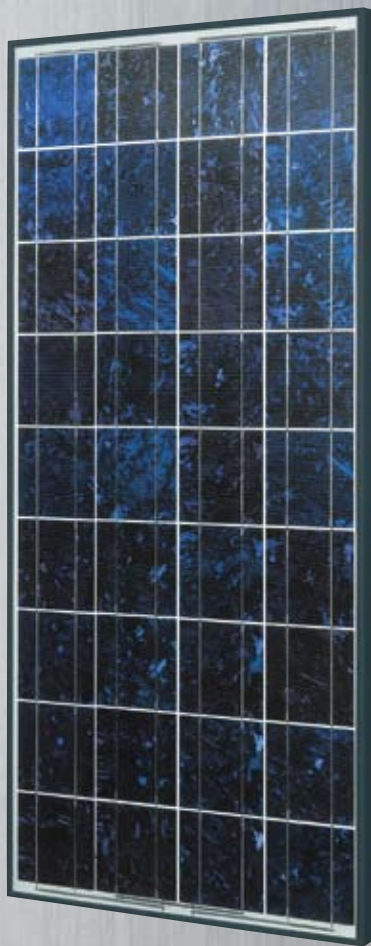


U E series

PV-UE130MF5N 130Wp
 PV-UE125MF5N 125Wp
 PV-UE120MF5N 120Wp
 PV-UE115MF5N 115Wp



F i r s t
i n
Q u a l i t y

High Efficiency

- Solder-Free Cells
- Fine Grid Electrodes
- BSF (Back Surface Field) Structure
- Anti-Reflective Coating
- Unique Bus Bar Design
- Back Film Reflected Light
- Cerium-Free/High-Transmittance Glass
- High Power Output in Actual Use

High Reliability

- Original Derating Designing Concept
- Straight Tabs
- Double-Sided Independent Tabs
- Lower Slope of Module Frame
- Higher Tensile Strength Structure
- Solid Frame Structure
- Tempered Glass
- Better Water Drainage Structure
- Max. System Voltage 600V with Triple-Layer Structure Back Film

High Safety

- Triple-Layer Structure Junction Box
- Ultra Reliable Bypass Diode
- Locking Electrical Connectors
- Lighter Weight 29.8lbs per module
- Conformity with IEC61215 2nd edition, UL 1703

Eco-Friendly

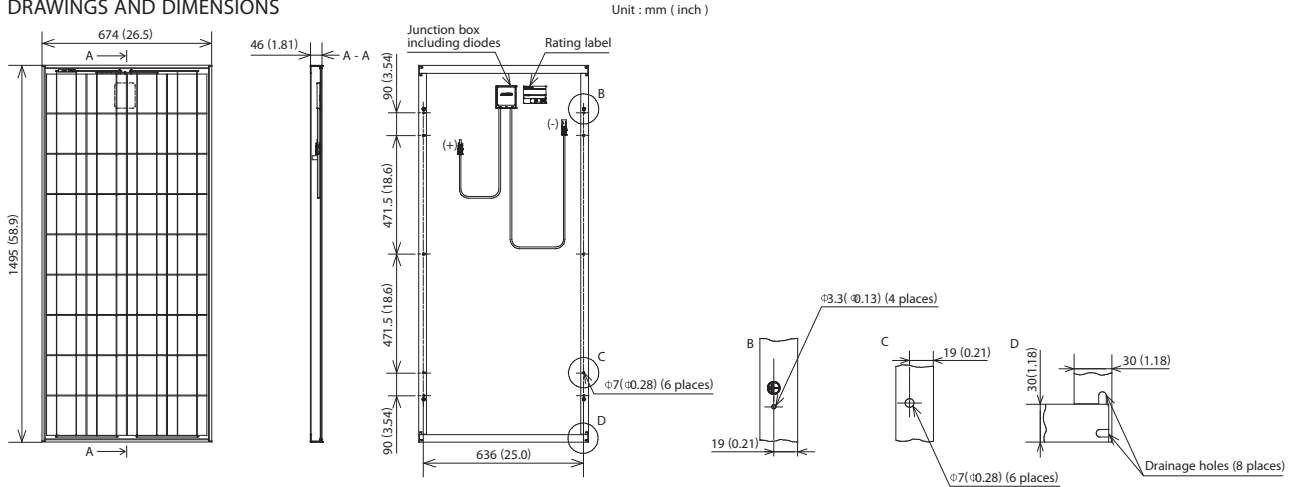
- Lead-Free Solder PV Modules
- Manufactured in an ISO 14001 Certified Plant
- Recyclable Steel Pallets



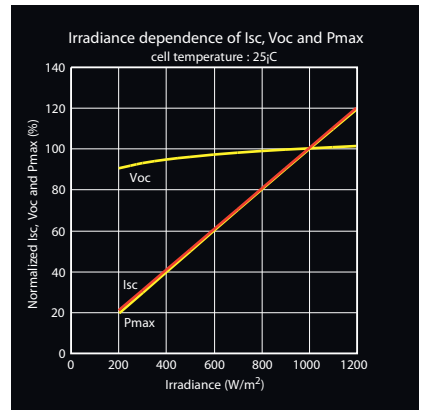
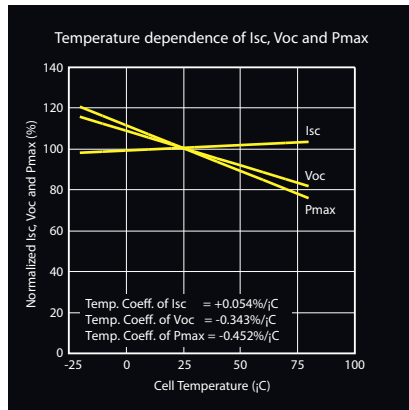
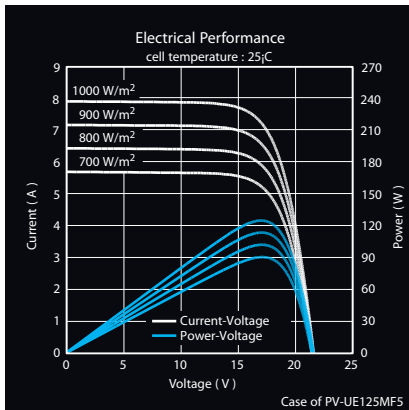
SPECIFICATION SHEET

Manufacturer	MITSUBISHI ELECTRIC			
Model name	PV-UE130MF5N	PV-UE125MF5N	PV-UE120MF5N	PV-UE115MF5N
Cell type	Polycrystalline Silicon, 156mm x 156mm			
Number of cells	36 cells in a series			
Maximum power rating (Pmax)	130W	125W	120W	115W
Warranted minimum Pmax	123.5W	118.8W	114.0W	109.3W
Tolerance of maximum power rating	+10/-5%			
Open circuit voltage (Voc)	21.9V	21.8V	21.6V	21.5V
Short circuit current (Isc)	8.05A	7.90A	7.75A	7.60A
Maximum power voltage (Vmp)	17.4V	17.3V	17.2V	17.1V
Maximum power current (Imp)	7.47A	7.23A	6.99A	6.75A
Normal operating cell temperature (NOCT)	47.5 degree C			
Maximum system voltage	DC 600V			
Fuse rating	15A			
Dimensions	1495x674x46mm (58.9x26.5x1.81inch)			
Weight	13.5kg (29.8lbs.)			
Output terminal	(+)-800mm/(-)-1250mm with MC connector (PV-KBT4/6 -UR, PV-KST4/6 -UR)			
Module efficiency	12.9%	12.4%	11.9%	11.4%
Packing condition	2 pcs - 1 carton			
Certificate	IEC 61215 edition 2 (static load test 2400Pa passed), EN 61730, TUV Safety Class II			

DRAWINGS AND DIMENSIONS



ELECTRICAL CHARACTERISTICS



Mitsubishi Electric & Electronics USA, Inc.
5665 Plaza Drive, Cypress, CA 90630-0007
Phone: 714-220-2500 Email: pv@meus.me.com
<http://www.MitsubishiElectric.com/solar>